

NEWS

PLUS

HOVER 121 025
DRAGONFLY 121 006
FREERIDE 121 030

FROM THE **HAGS PLUS** RANGE

HAGS HOVER

A stand-on rocker for the older user to promote balance and fitness. Great fun for use solo or with friends, with a jet ski feel.



HAGS DRAGONFLY

Named due to its shape, the 'Dragonfly' is a groundbreaking twist in seesaw design. Instead of riding in an upright position, the rider is reclined and showing off. The see-saw is still powered by the user's legs, but instead of pushing on the ground, they push on the centre post.



HAGS FREERIDE

HAGS Freeride is a brilliant way to improve your snow board or surf skills. Feel the rush as you imagine riding those waves or getting great air! Perfect for hanging about and showing off.



HAGS

HAGS Aneby AB
Box 133 SE-578 23 Aneby, Sweden

Phone: +46 (0)380-473 00
Fax: +46 (0)380-451 26
hags@hags.com
www.hags.com

HAGS HOVER

A stand-on rocker for the older user to promote balance and fitness. Great fun for use solo or with friends, with a jet ski feel. HAGS standard yellow colour



HAGS HOVER

Art. no. 121 025

Age 7yrs

Equipment Dimensions

Length x Width x Height: 2.26m x 0.5m x 1.45m

Installation Information

Total Weight: 98.18kg

Heaviest Part: 65kg

Largest Part: 2.25m x 1m x 0.495m

Min. Concrete Foundations: 0.5623

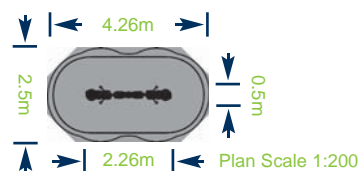
Surfacing Requirements

Minimum Space: 4.26m x 2.5m x 2.2m

Max Freefall Height: 0.8m

Falling Space Area: 8.88m²

Wetpour Area: 9.5m²



HAGS PLUS

HAGS

HAGS Aneby AB
Box 133 SE-578 23 Aneby, Sweden

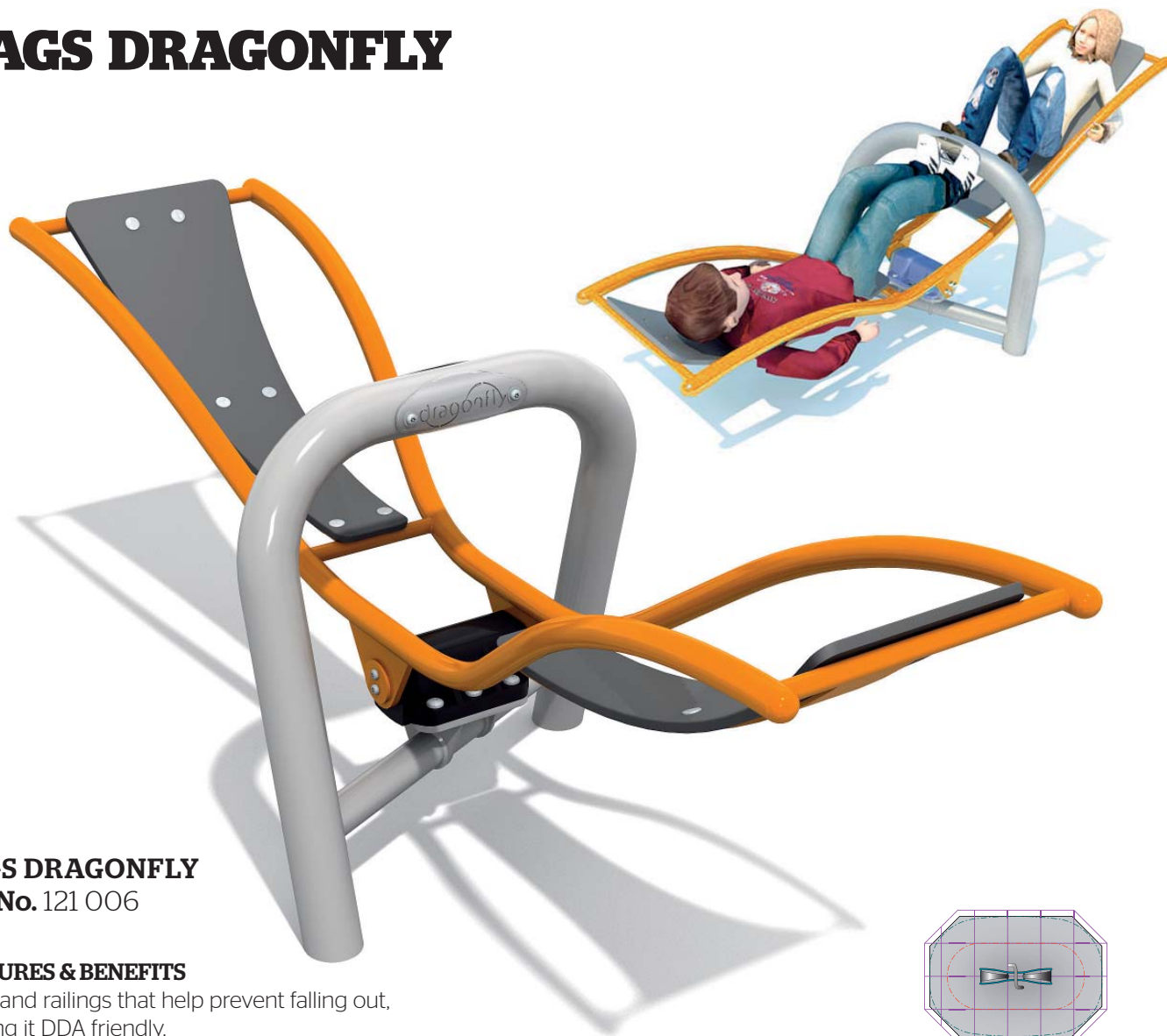
Phone: +46 (0)380-473 00

Fax: +46 (0)380-451 26

hags@hags.com

www.hags.com

HAGS DRAGONFLY



HAGS DRAGONFLY

Art No. 121 006

FEATURES & BENEFITS

Side hand railings that help prevent falling out, making it DDA friendly.

Provides unique sensation

Can be used by younger childer as well as juniors and seniors (11+)

None bump mechanism ensures a smooth ride.

HAGS standards yellow colour.

Seat: 15mm Polydek

Suspension: Natural rubber suspension unit with built in stop

Wing Fabricated from:

Ø42.4 x 4 CHS

Ø26.9 x 3.2 CHS

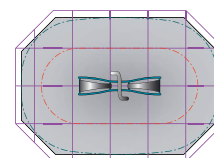
12mm & 6mm Profiled MS Plate

Base Unit Fabricated from:

Ø88.9 x 4 CHS

Ø60.3 x 5 CHS

10mm Profiled MS Plate



Age 7yrs

Equipment Dimensions

Length x Width x Height: 2.19m x 0.76m x 0.79m high

Installation Information

Total Weight: 94kg

Heaviest Part: 49kg

Largest Part: 0.85m x 0.89 x 1.24m

Min. Concrete Foundations: 0.5623

Surfacing Requirements

Minimum Space: 5.2m x 3.62m x 3.79m

Max Freefall Height: 1.1m

Falling Space Area: 5.2x3.62m

Wetpour Area: 17m²

HAGS PLUS

HAGS

HAGS Aneby AB
Box 133 SE-578 23 Aneby, Sweden

Phone: +46 (0)380-473 00

Fax: +46 (0)380-451 26

hags@hags.com

www.hags.com

HAGS FREERIDE

FEATURES & BENEFITS

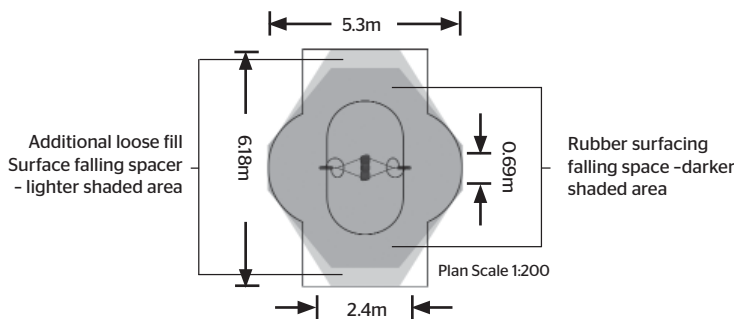
Double grab handles. Impact tested ride board
Easily replaced spare parts. Inexpensive yet effective
swivel joints. Standard specification chains Standard
shackles and oilite bearings. HAGS standard yellow
colour.

USABILITY

Offers an exciting & Unique aerobic workout.
As a swing, show off, test nerve, practice skill.
As a seat, hang out, socialise, chat.



HAGS FREERIDE
Art. no. 121 030



Age 7yrs

Equipment Dimensions

Length x Width x Height: 2.4m x 0.69m x 2.25m

Installation Information

Total Weight: 96.5kg

Heaviest Part: 38kg

Largest Part: 2.98m x 0.6m x 0.3m

Min. Concrete Foundations: 0.5623

Surfacing Requirements

Minimum Space: 5.03m x 6.18m x 4.15m

Max Freefall Height: 1.3m

Falling Space Area: 19.38m² / 17.63m²

Wetpour Area: 19.5m²

HAGS PLUS

HAGS Aneby AB
Box 133 SE-578 23 Aneby, Sweden

Phone: +46 (0)380-473 00

Fax: +46 (0)380-451 26

hags@hags.com

www.hags.com